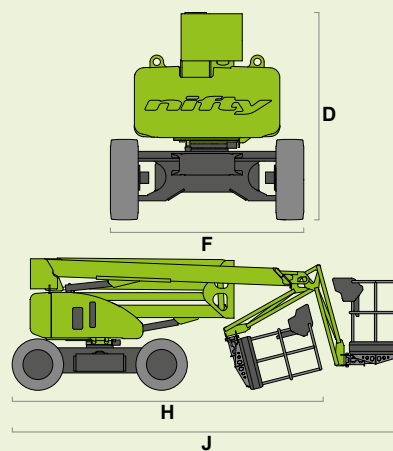
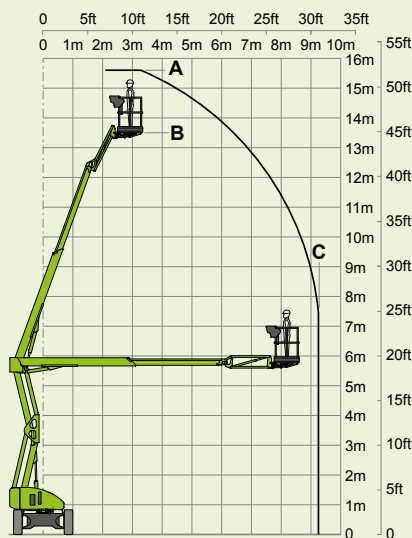


niftylift

SP45 4x4



SiOPS® **Niftylink®**
toughcage **Gen² Hybrid**

(A) 51ft 6in



(B) 45ft



(C) 31ft



500lbs



5ft 11in x 2ft 9in



150°



180°



(D) 6ft 11in



(F) 6ft 7in



(H) 15ft 9in



(J) 20ft 10in



3.7mph



12ft 2in



45%
24°



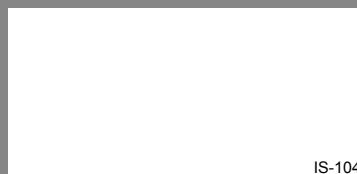
4500kg* / 4800kg
9920lbs* / 10580lbs



Hybrid²



niftylift
 1525 S. Buncombe Road,
 Greer, SC - 29651
 United States
 1-800-643-8954
 usasales@niftylift.com
 www.niftylift.com



IS-104