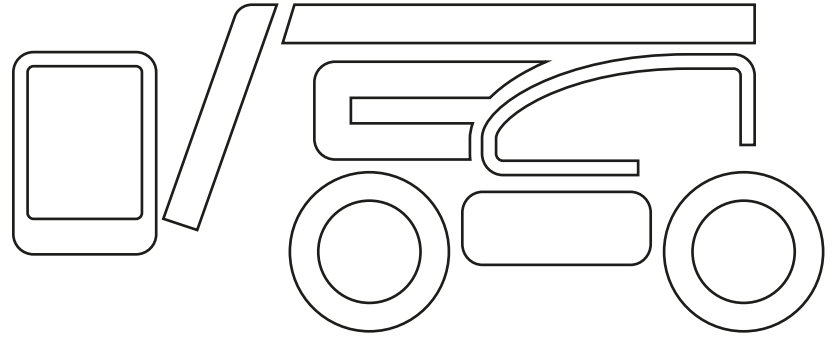
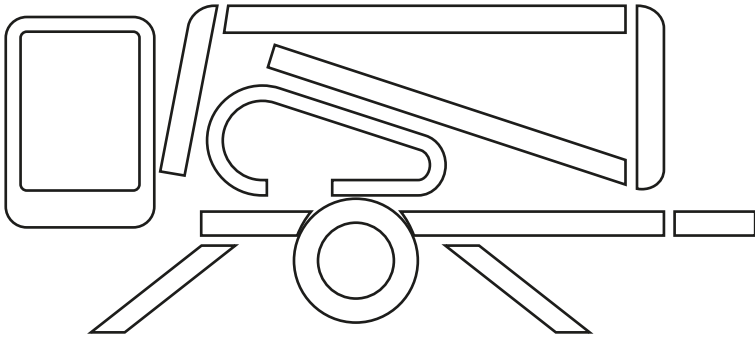
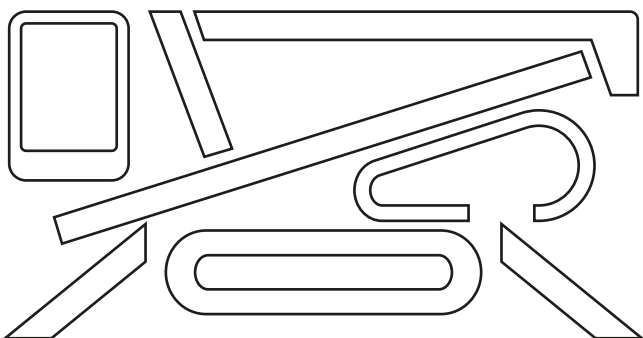
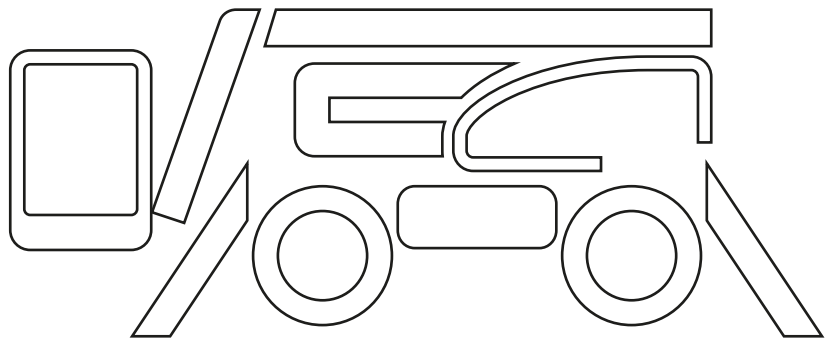


Date: _____



Colour me
nifty
Activity Book

Name: _____



niftylift

Word Search

L	H	S	E	N	I	H	C	A	M	N	E	E	R	G	A	I	Q	M	N	M	D	N	A	F
J	A	Q	V	A	Q	O	I	F	C	A	T	Z	H	E	D	E	O	N	E	N	X	O	T	D
P	R	M	R	V	O	H	E	N	S	Q	G	G	Q	H	S	B	L	Z	Z	W	A	L	O	A
B	L	K	H	O	V	E	R	S	A	T	I	L	E	Z	E	N	I	V	H	M	P	G	I	E
X	N	R	U	V	G	G	Q	X	X	N	G	M	B	X	L	K	N	I	L	Y	T	F	I	N
O	S	D	T	R	A	C	K	D	R	I	V	E	S	B	F	Q	L	F	K	G	T	F	Z	K
U	Z	E	M	A	N	O	E	U	V	R	A	B	L	E	D	T	K	Z	W	O	M	I	F	Q
H	U	T	K	N	N	U	A	H	N	L	L	H	O	U	R	E	R	S	R	C	K	B	Q	G
W	V	C	Y	D	D	H	P	E	B	A	S	K	E	T	I	M	K	G	N	C	T	E	W	A
R	X	E	M	L	R	N	Z	N	R	L	Z	F	H	E	V	W	K	Y	E	Z	A	V	C	X
O	P	N	J	Q	A	Y	Z	A	B	I	B	R	L	V	E	R	A	E	X	Q	A	I	O	Y
S	W	N	I	M	E	Y	A	L	P	A	A	I	I	C	S	Y	L	B	O	C	W	T	S	L
T	O	O	Z	M	K	H	T	L	M	W	F	L	A	N	B	I	A	G	C	D	F	C	T	S
Z	M	C	J	R	Z	S	S	P	S	W	G	Y	W	Q	B	F	F	E	D	X	V	E	E	B
W	E	O	Y	E	T	V	H	U	B	K	Y	F	Y	O	J	D	S	L	G	F	Z	F	F	T
S	S	A	P	G	G	Y	R	P	Z	I	V	N	E	D	R	S	L	B	I	O	L	F	F	O
Q	E	L	X	G	O	I	Y	E	A	A	O	H	X	T	P	K	Y	Y	X	B	J	E	E	E
D	Y	S	U	I	F	I	M	F	L	I	G	U	T	L	X	A	P	P	Z	S	P	V	C	I
U	E	S	R	R	F	Y	I	B	T	I	O	W	A	G	F	J	R	L	D	K	M	V	T	V
Y	D	L	I	T	C	D	H	A	C	G	A	T	I	T	G	I	C	T	A	O	A	K	I	H
N	W	X	H	U	X	I	T	A	P	K	F	B	F	W	T	E	M	N	X	T	T	W	V	E
J	V	Q	N	O	Y	O	V	B	S	O	U	Q	L	R	X	O	C	P	C	D	F	Z	E	E
H	Y	B	W	O	R	Z	C	O	R	W	X	J	A	E	B	D	G	J	P	G	O	O	F	E
U	U	P	B	E	V	O	C	M	S	D	M	M	U	I	C	T	E	I	P	V	U	I	R	V
V	O	Z	G	B	Y	S	P	O	H	I	S	W	L	A	X	Y	F	K	S	X	G	I	L	M
H	Y	A	B	C	U	Q	Y	X	T	T	L	E	G	J	J	G	U	N	D	D	Y	N	K	V
Q	C	T	F	V	Z	Y	X	Y	O	A	J	O	P	X	Z	N	I	F	T	Y	L	I	F	T
D	C	Q	R	O	O	K	U	N	P	Y	T	E	L	E	M	A	T	I	C	S	P	E	T	D

accessplatform
aerialworkplatform
basket
cagerotation
connected

costeffective
effective
greenmachines
manoeuvrable
mewp

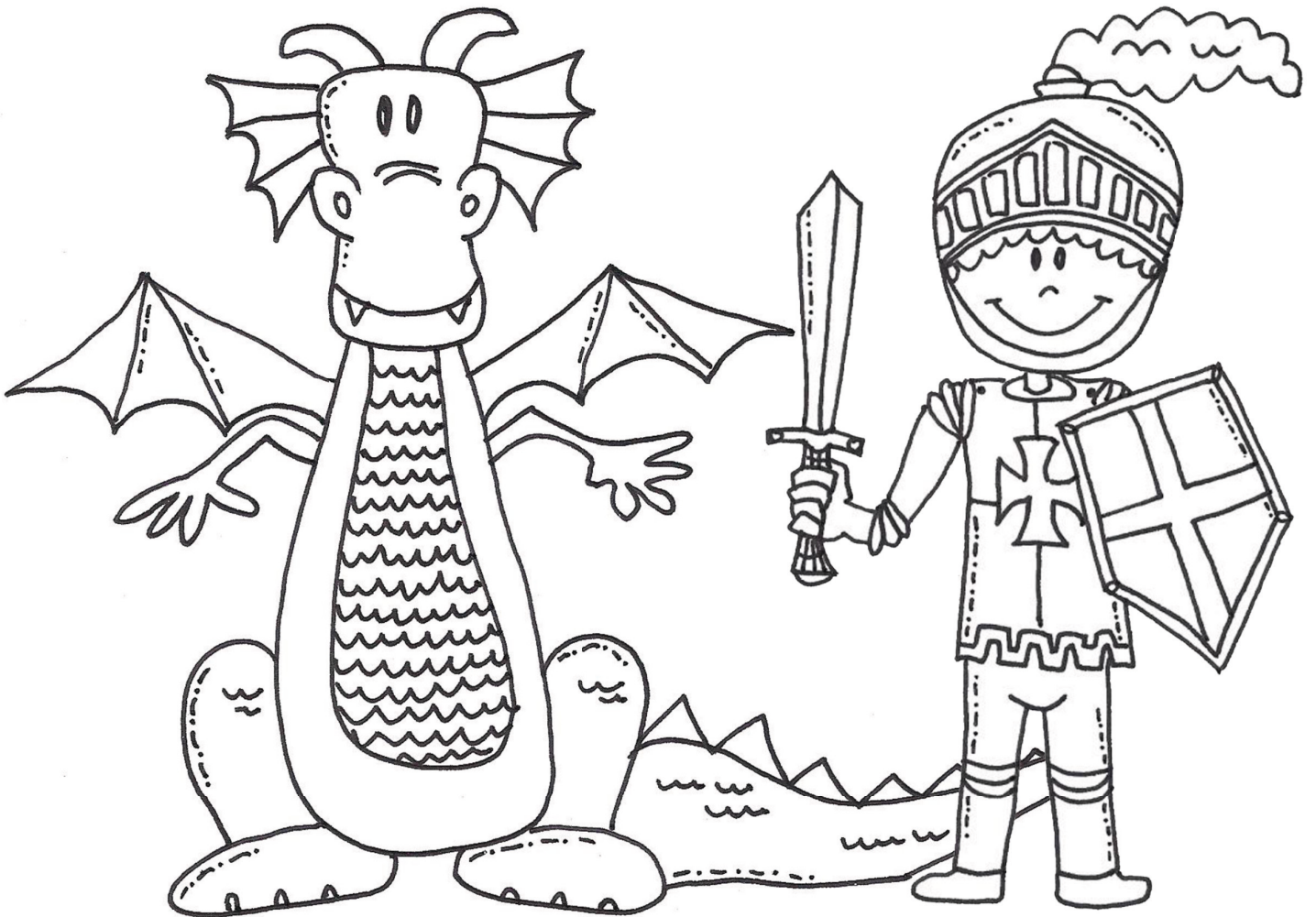
mobile
niftylift
niftylink
outrigger
reliable

selfdrive
smart
telematics
trackdrive
versatile



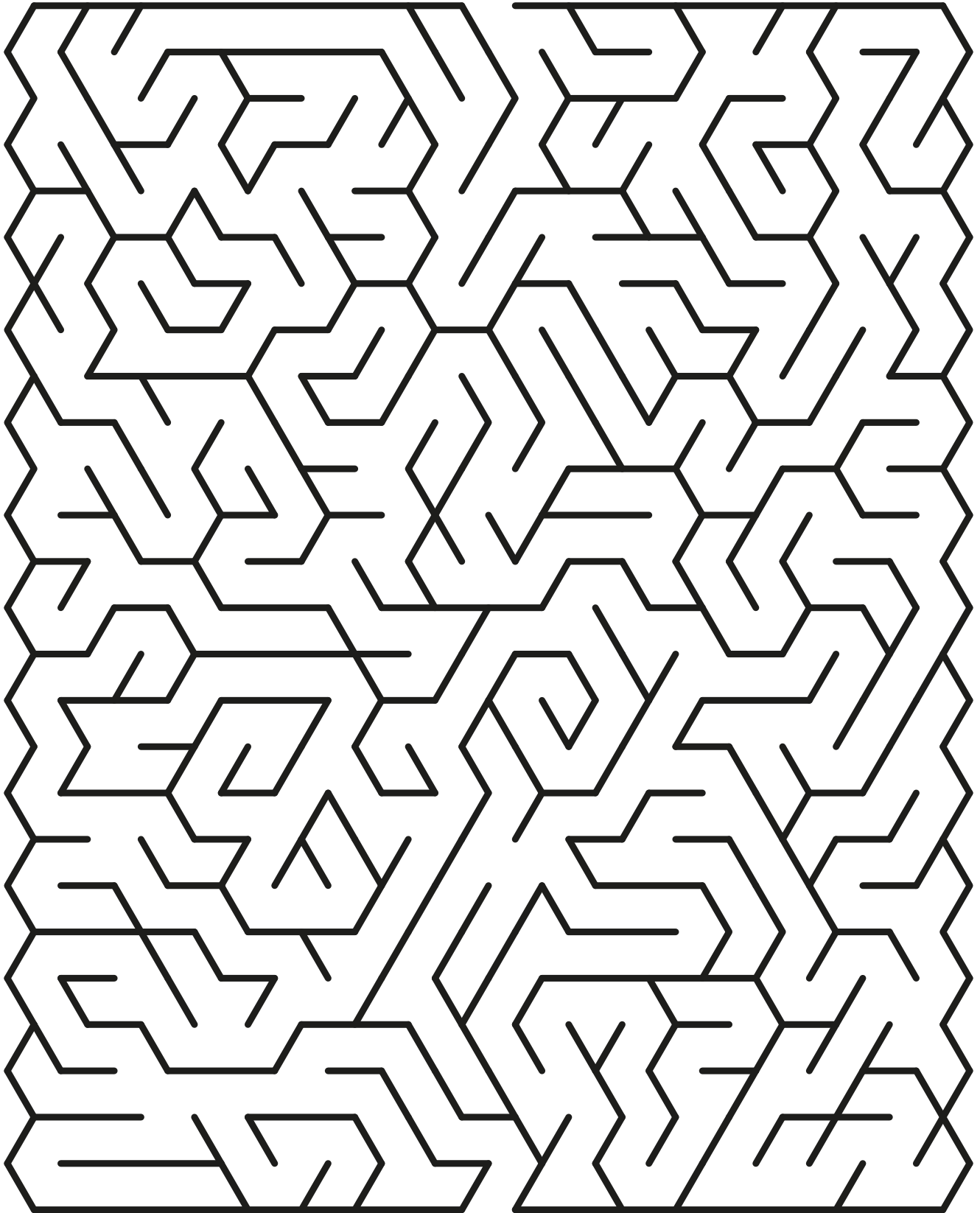
HAPPY

ST GEORGE'S DAY



Maze

START



FINISH

Sudoku

Easy

2	9	8		4		1		
	5	7			6	9	2	
6					5			
		4	6		2			
				7				
			3		8	6		
			9					2
	4	6	8			3	1	
		2		6		4	7	8

Medium

				6	1	5		4
2	1						6	
	6		9		7	3		1
		1						9
			3	9	6			
6						2		
1		2	4		3		9	
	8						7	2
9		6	8	7				

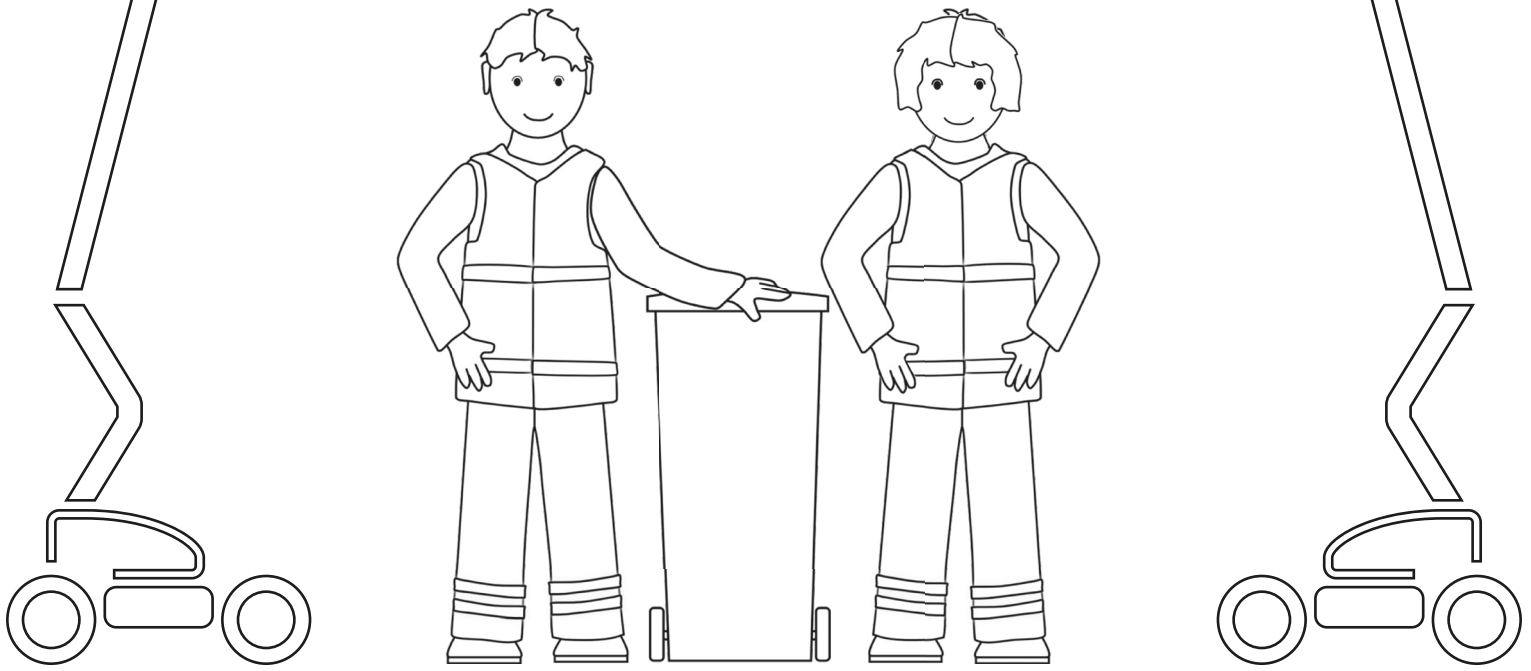
Hard

			3			7		4
7	4		6		9			
6	2	3		1				
3				5		9		2
2		7		3				6
				7		6	1	9
			2		1		4	3
1		8			3			

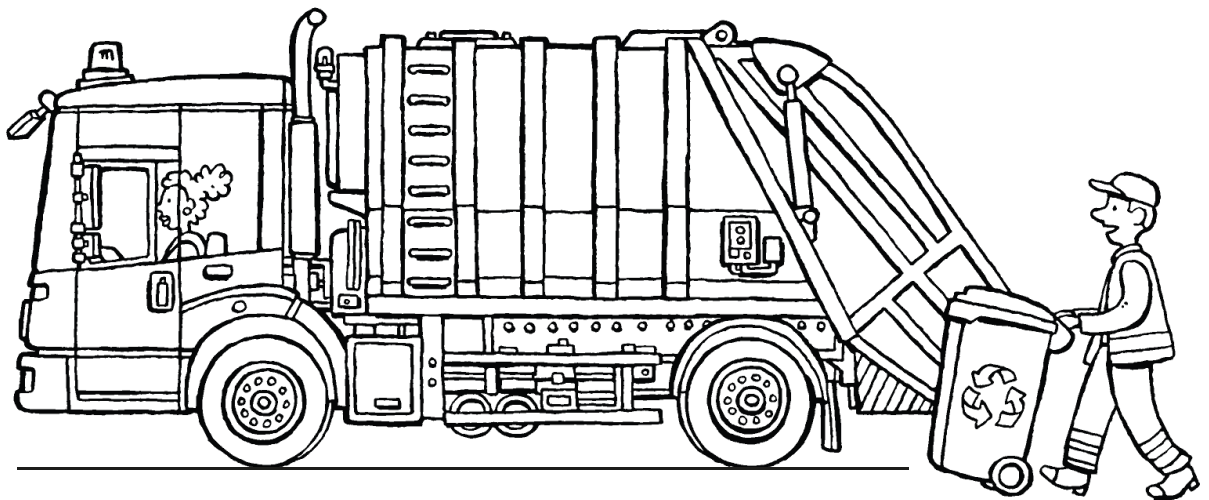
Evil

				8		2		
			5				8	6
2				9				4
		1	3	5			9	2
7		5				8		1
3	9			2	1	6		
1				7				3
9	3				5			
		2		6				

LOCAL HEROES



SANITATION



THANK YOU

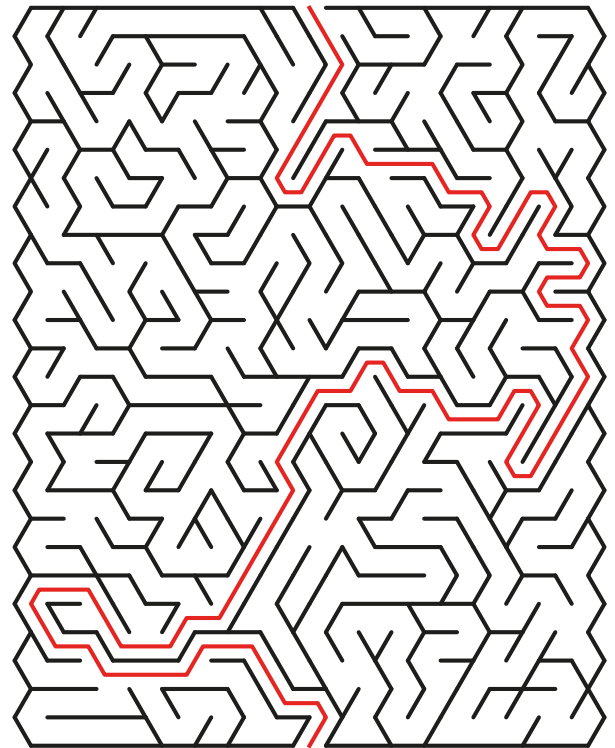
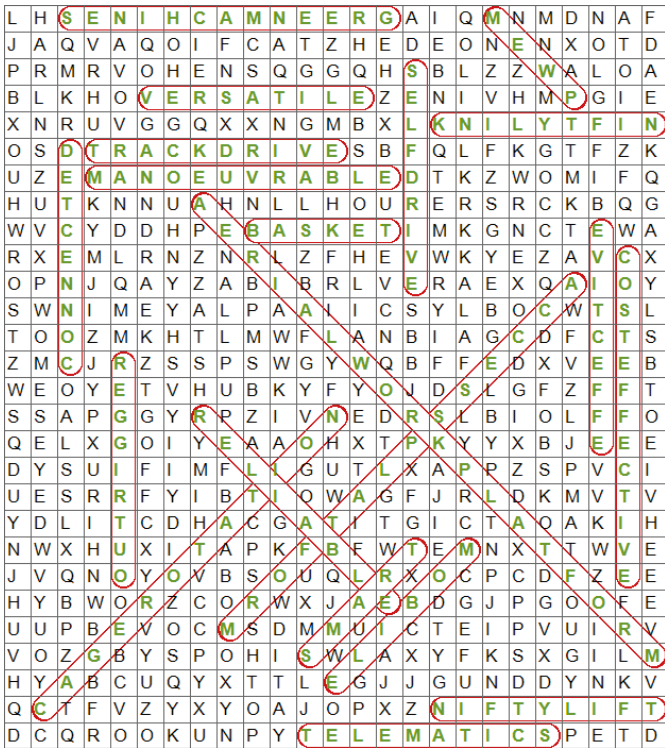
Spot the Diff



Can you find all 10?



Answers



Easy

2	9	8	7	4	3	1	5	6
4	5	7	1	8	6	9	2	3
6	1	3	2	9	5	7	8	4
3	7	4	6	1	2	8	9	5
8	6	5	4	7	9	2	3	1
1	2	9	3	5	8	6	4	7
7	8	1	9	3	4	5	6	2
5	4	6	8	2	7	3	1	9
9	3	2	5	6	1	4	7	8

Medium

7	3	9	2	6	1	5	8	4
2	1	8	5	3	4	9	6	7
4	6	5	9	8	7	3	2	1
3	5	1	7	2	8	6	4	9
8	2	4	3	9	6	7	1	5
6	9	7	1	4	5	2	3	8
1	7	2	4	5	3	8	9	6
5	8	3	6	1	9	4	7	2
9	4	6	8	7	2	1	5	3

Hard

9	8	1	3	2	5	7	6	4
7	4	5	6	8	9	3	2	1
6	2	3	4	1	7	5	9	8
3	1	4	7	5	6	9	8	2
8	5	6	1	9	2	4	3	7
2	9	7	8	3	4	1	5	6
4	3	2	5	7	8	6	1	9
5	7	9	2	6	1	8	4	3
1	6	8	9	4	3	2	7	5



Evil

5	1	3	6	8	4	2	7	9
4	7	9	5	3	2	1	8	6
2	8	6	1	9	7	3	5	4
6	4	1	3	5	8	7	9	2
7	2	5	9	4	6	8	3	1
3	9	8	7	2	1	6	4	5
1	6	4	8	7	9	5	2	3
9	3	7	2	1	5	4	6	8
8	5	2	4	6	3	9	1	7

Please contact marketing@niftylift.com with any questions, comments or suggestions.