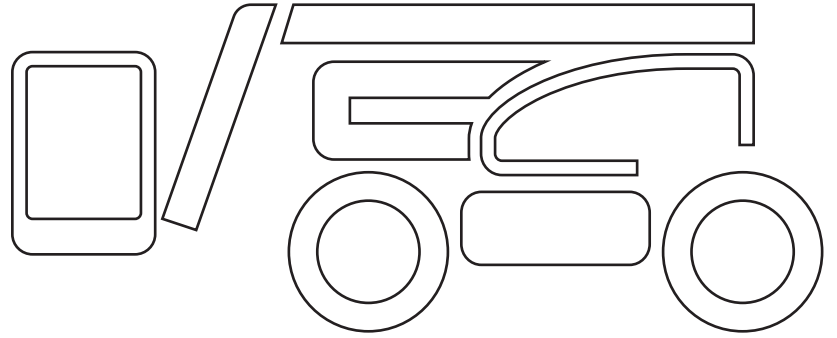
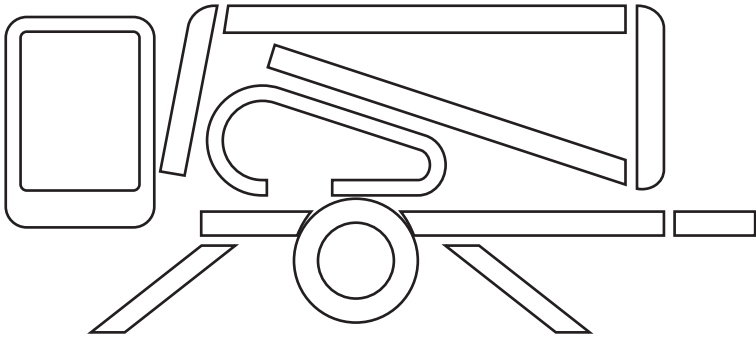
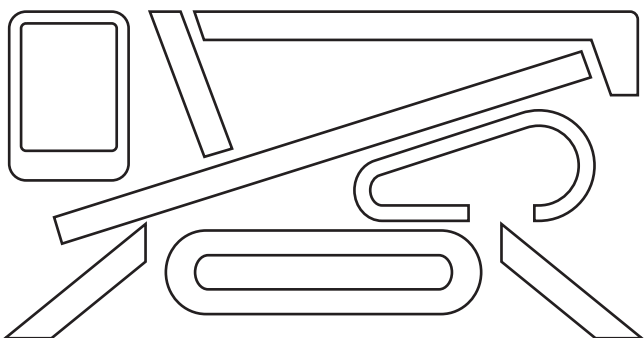
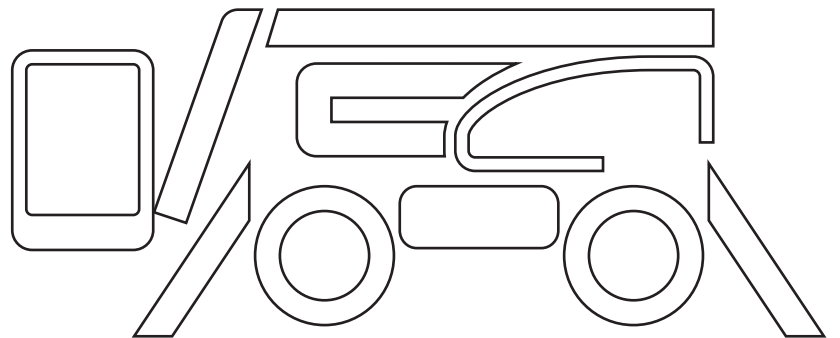


Date: \_\_\_\_\_



Colour me  
**nifty**  
Activity Book

Name: \_\_\_\_\_



**niftylift**

# Word Search



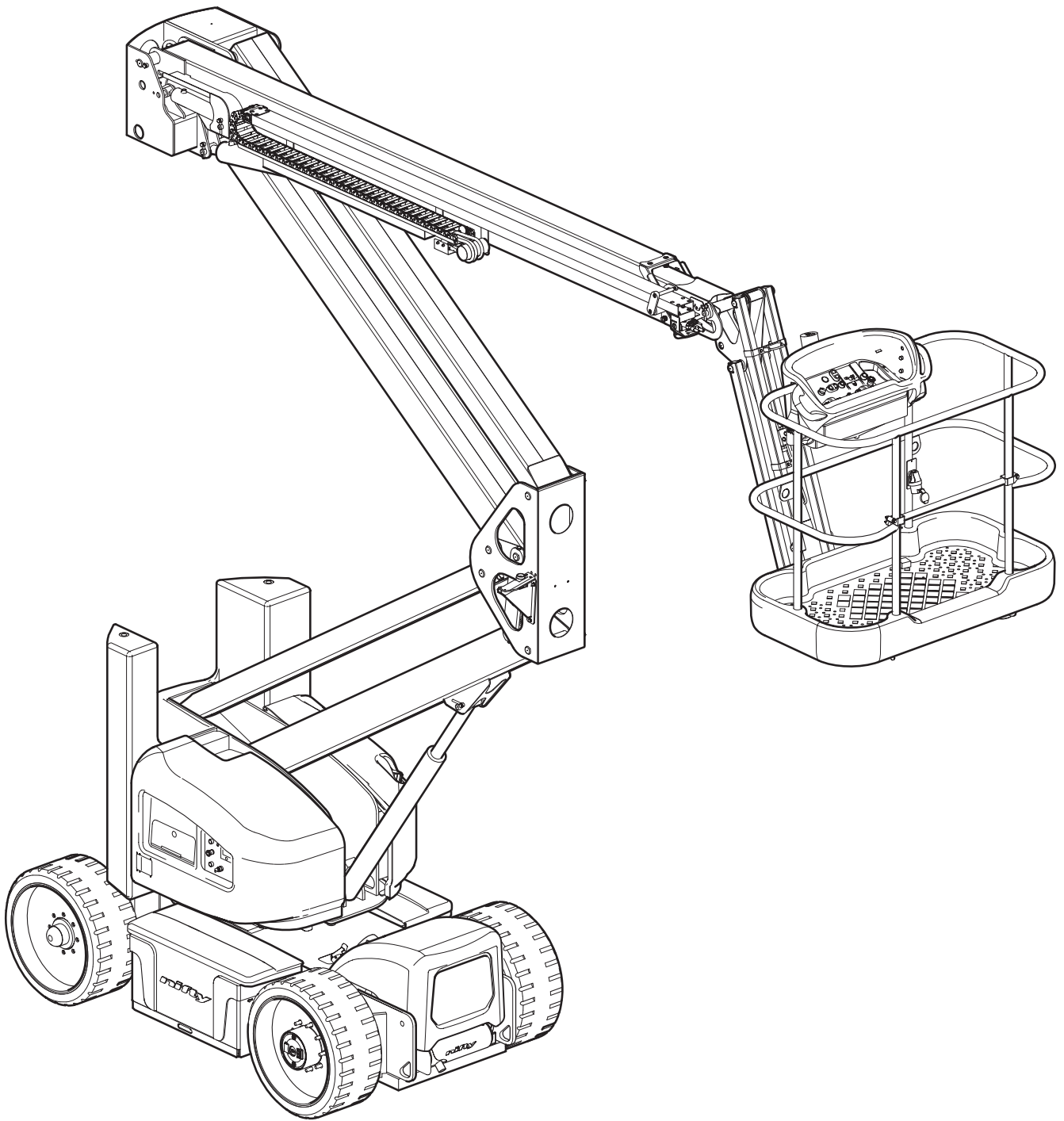
boomlift  
cagerotation  
compact  
durable  
greenmachines

heightrider  
hydraulicram  
inteligent  
manoeuvrable  
mobile

niftylift  
quiet  
reliable  
safe  
selfpropelled

siops  
smart  
telematics  
toughcage  
workingheight

niftylift



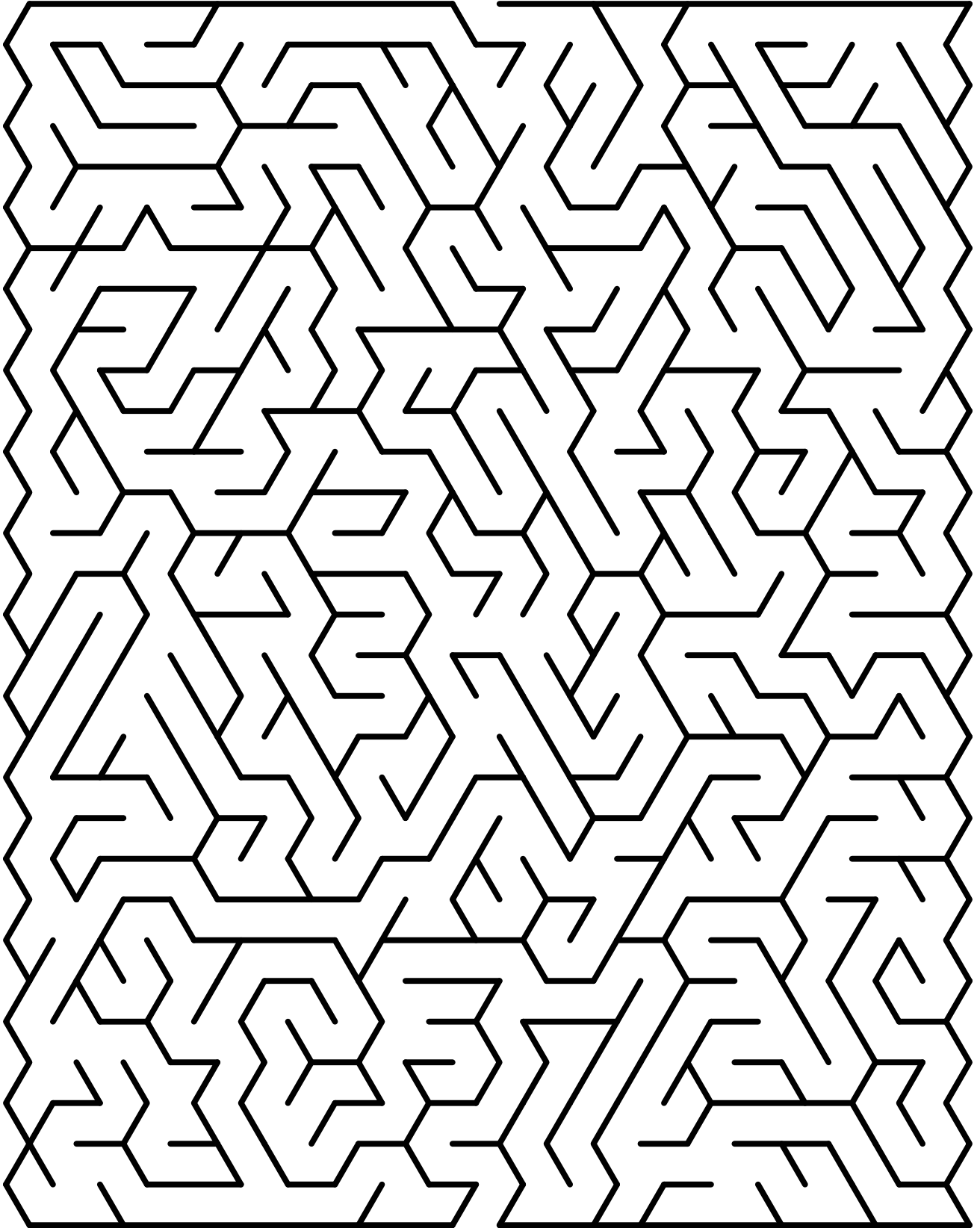
ALL-ELECTRIC

HR17N



# Maze

START



FINISH

# Sudoku

## Easy

		4			5		2	
2		7		8		6		5
		8		3	6			
3					7	2	8	
	1	2	9					7
			5	2		9		
5		1		7		3		4
	9		4			7		

## Medium

9		2		3			8	
5	3				4		9	
						5		
4				7	2	1	3	
1								7
	5	6	1	4				8
		5						
	4		7				6	1
	9			8		3		5

## Hard

3			6		8	5		
1	5			3		8		
	6			4			9	
5				1				
		7	3		2	6		
				7				1
	4			2			6	
		5		8			3	2
		1	9		3			5

## Evil

		8	5	7		2		
	2		8		9			5
		1		2			8	
		7	1				3	6
6	9				7	4		
	7			4		5		
4			7		5		9	
		2		9	1	8		

# Spot the Diff



Can you find all 10?



